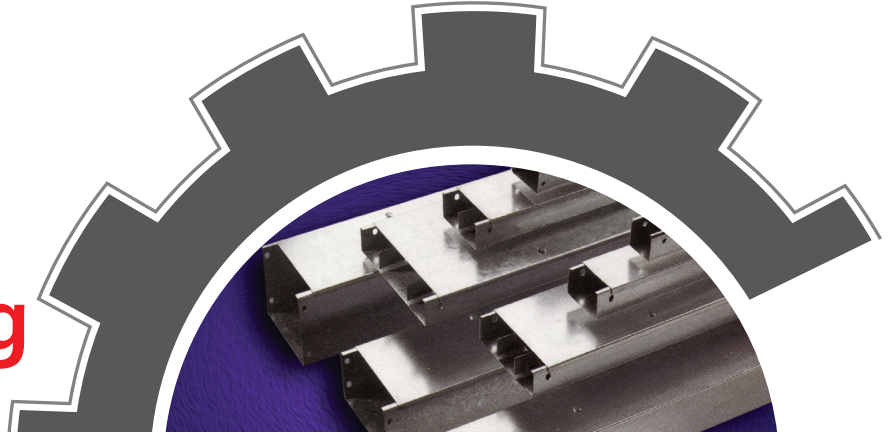
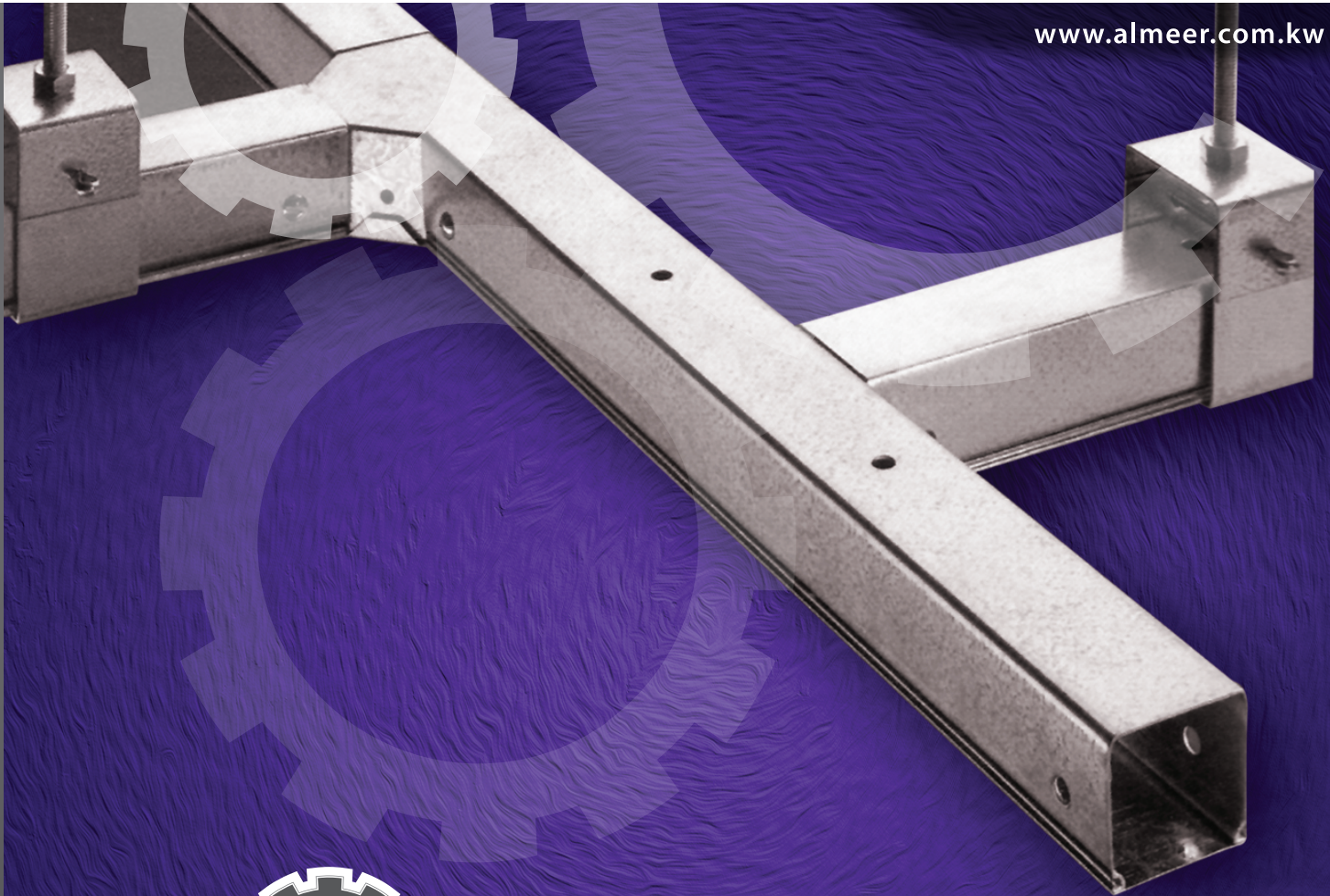


Cable Trunking



ALMEER INDUSTRIES المير للصناعات

www.almeer.com.kw



شركة المير للخدمات الفنية ذ.م.م.

Subsidiary of ALMEER TECHNICAL SERVICES CO. W.L.L.





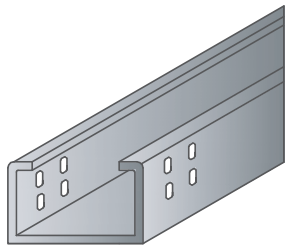
INTRODUCTION

Almeer Industries established in the year 1997, has been in the business offering a wide range of services in manufacture of Panels for various applications, Street Lighting Poles, Junction Boxes, Cable Trays & Accessories, Unistrut Channels, Wire mesh, Expanded metal, Profiled Sheets etc., for Oil & Gas, Petrochemical, Power and other major industries in Kuwait. It is an ISO 9001: 2008, ISO 14001: 2004 & ISO 18001: 2007 Certified Company with standardization worked into all facets of its work.

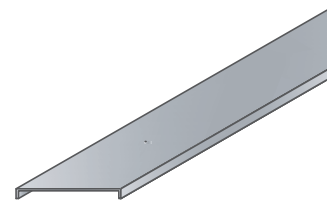
Almeer manufacturing facility is located in Amghara Industrial Area with modern machineries and equipments. The workshop is located on 16,000 Sq.mtrs of area which consists of Overhead Office, Stores and well laid down area for fabrication, machine shop, CNC Operation, Lighting Pole Machinery, Industrial blasting, Power coating plant, Hot-dip galvanization plant and computerized, manual & chemically etched engraving facilities. The workshop is equipped with overhead crane for material handling and other maintenance services.

We stride to provide reliable, highest quality and economic solutions to our customers. As we continue to build and strengthen our partnership, we are committed to achieve 100% customer satisfaction and earn your trust and loyalty.

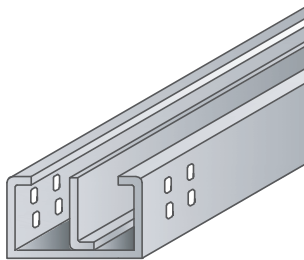
CABLE TRUNKING



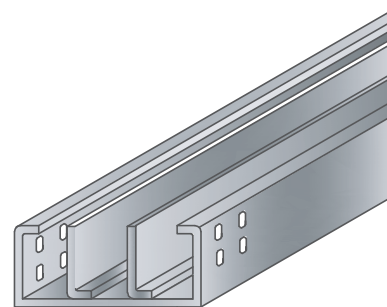
SINGLE COMPARTMENT



COVER



2-COMPARTMENT

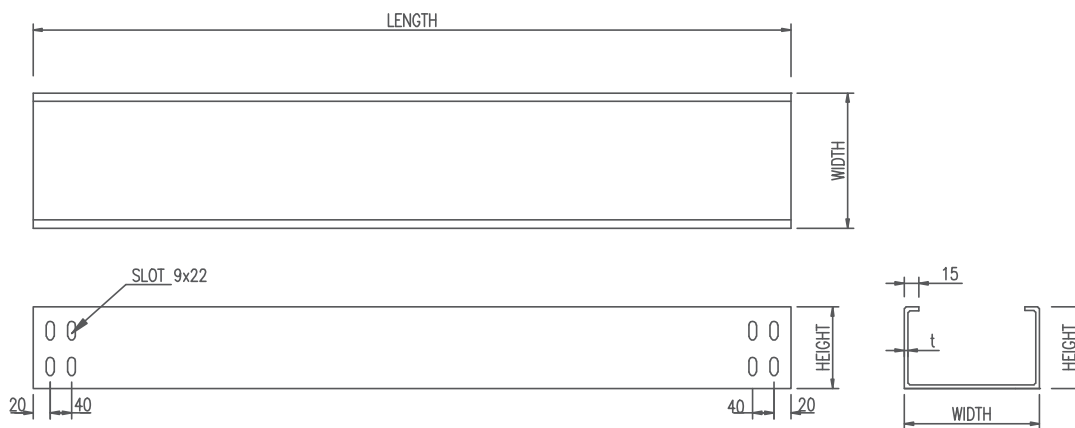


3-COMPARTMENT

Cable Trunking systems commonly used in indoor purposes , Office building etc.
Complies to BS 4678 Part-1, fabricated from pre-galvanized steel sheet to BS 2989 –or Equivalent.

Supplied with quick release cover for simple Installation
Single compartment and Multi-Compartment Trunkings available

Optional Finishes availbale in Hot dip galvanized according to BS EN ISO 1461
Powder coated/painted or Stainless Steel



All Dimensions are in MM



CABLE TRUNKING

CABLE TRUNKING-(ORDERING INFORMATION)

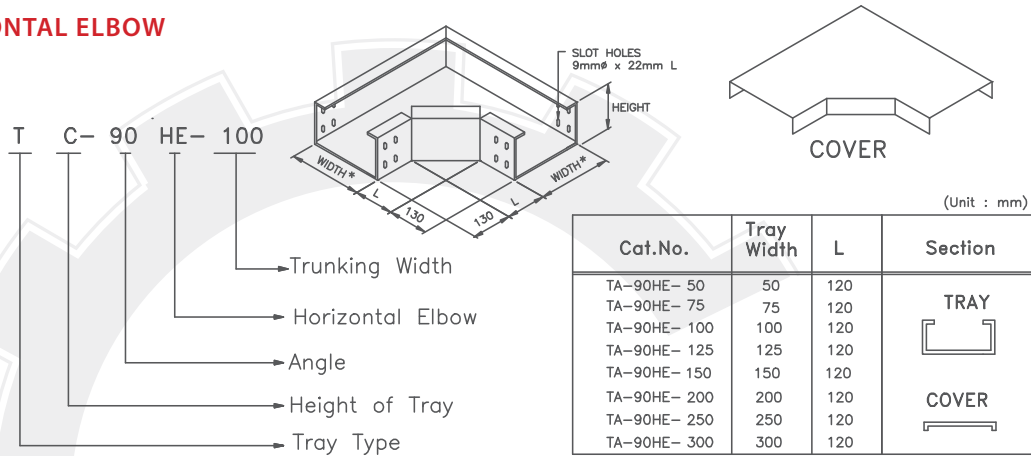
CODE	TYPE OF TRAY		
T	CABLE TRUNKING		
↓	CODE	HEIGHT OF TRUNKING	
	A	50 MM	
	B	75 MM	
	C	100 MM	
	D	125 MM	
	E	150 MM	
	E	200 MM	
↓	CODE	THICKNESS	
	J	1.0 MM	
	K	1.2 MM	
	L	1.5 MM	
	M	1.6 MM	
	N	2.0 MM	
↓	CODE	WIDTH OF TRUNKING	
	* *	50MM – 300MM	
↓	CODE	LENGTH OF TRUNKING	
	A	2440 MM	
↓	B	3000 MM	
	CODE	FINISH	
↓	1	HOT DIP GALVANIZED	
	2	PRE-GALVANIZED	

T	C	L	100	A	2
---	---	---	-----	---	---

CABLE TRUNKING

FITTINGS & COVERS

90° HORIZONTAL ELBOW



T C- 90 HE- 100
 Trunking Width
 Horizontal Elbow
 Angle
 Height of Tray
 Tray Type

SLOT HOLES
9mm ϕ x 22mm L

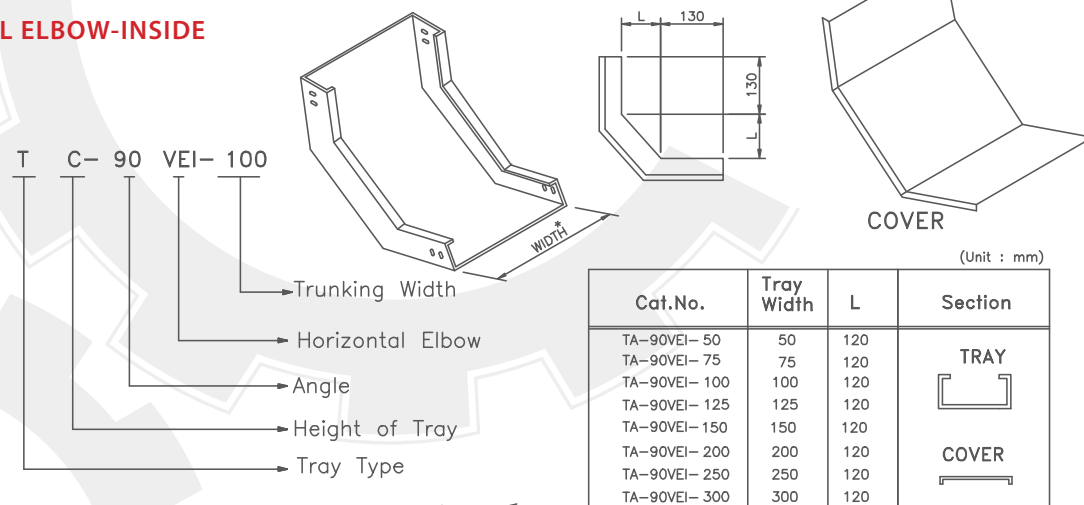
HEIGHT

COVER

(Unit : mm)

Cat.No.	Tray Width	L	Section
TA-90HE- 50	50	120	TRAY
TA-90HE- 75	75	120	
TA-90HE- 100	100	120	
TA-90HE- 125	125	120	
TA-90HE- 150	150	120	
TA-90HE- 200	200	120	COVER
TA-90HE- 250	250	120	
TA-90HE- 300	300	120	

90° VERTICAL ELBOW-INSIDE



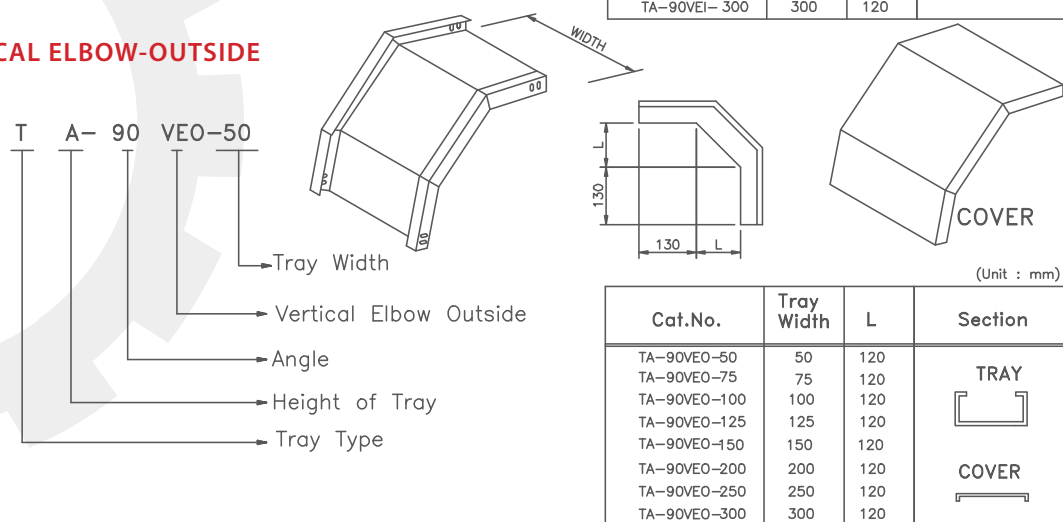
T C- 90 VEI- 100
 Trunking Width
 Horizontal Elbow
 Angle
 Height of Tray
 Tray Type

COVER

(Unit : mm)

Cat.No.	Tray Width	L	Section
TA-90VEI- 50	50	120	TRAY
TA-90VEI- 75	75	120	
TA-90VEI- 100	100	120	
TA-90VEI- 125	125	120	
TA-90VEI- 150	150	120	
TA-90VEI- 200	200	120	COVER
TA-90VEI- 250	250	120	
TA-90VEI- 300	300	120	

90° VERTICAL ELBOW-OUTSIDE



T A- 90 VEO- 50
 Tray Width
 Vertical Elbow Outside
 Angle
 Height of Tray
 Tray Type

COVER

(Unit : mm)

Cat.No.	Tray Width	L	Section
TA-90VEO-50	50	120	TRAY
TA-90VEO-75	75	120	
TA-90VEO-100	100	120	
TA-90VEO-125	125	120	
TA-90VEO-150	150	120	
TA-90VEO-200	200	120	COVER
TA-90VEO-250	250	120	
TA-90VEO-300	300	120	

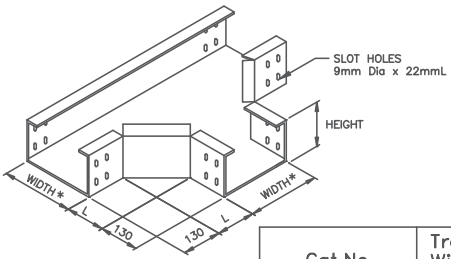
REFER TO SELECTION TABLE FOR HEIGHT & THICKNESS

All Dimensions are in MM

CABLE TRUNKING

FITTINGS & COVERS

HORIZONTAL TEE





SLOT HOLES
9mm Dia x 22mm L

HEIGHT

WIDTH* L 130 130 L WIDTH*

COVER

(Unit : mm)

Cat.No.	Tray Width	L	Section
TA-90HT- 50	50	120	TRAY 
TA-90HT- 75	75	120	
TA-90HT- 100	100	120	
TA-90HT- 125	125	120	
TA-90HT- 150	150	120	
TA-90HT- 200	200	120	COVER 
TA-90HT- 250	250	120	
TA-90HT- 300	300	120	

T C- HT- 50

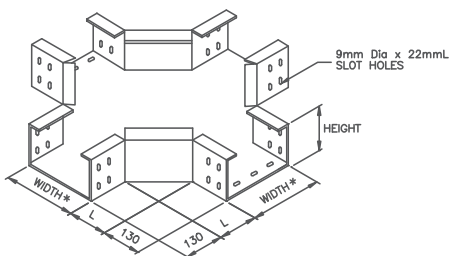
Tray Width

Horizontal Tee

Height of Tray

Tray Type

HORIZONTAL CROSS





9mm Dia x 22mm L
SLOT HOLES

HEIGHT

WIDTH* L 130 130 L WIDTH*

COVER

(Unit : mm)

Cat.No.	Tray Width	L	Section
TA-90HC 50	50	120	TRAY 
TA-90HC- 75	75	120	
TA-90HC- 100	100	120	
TA-90HC 125	125	120	
TA-90HC- 150	150	120	
TA-90HC- 200	200	120	COVER 
TA-90HC- 250	250	120	
TA-90HC- 300	300	120	

T C- HC- 50

Tray Width

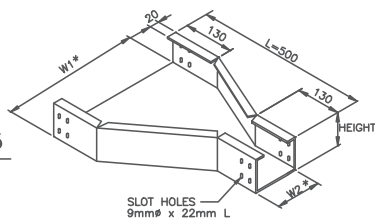
Horizontal Cross

Height of Tray

Tray Type

REFER TO SELECTION TABLE FOR HEIGHT & THICKNESS

STRAIGHT REDUCER





SLOT HOLES
9mm Dia x 22mm L

HEIGHT

W1* W2* L=500

COVER

(Unit : mm)

Cat.No.	Tray Width-W1	Tray Width-W2	Section
TC-SR-100/50	100	50	TRAY 
TC-SR-100/75	100	75	
TC-SR-150/50	150	50	
TC-SR-150/100	150	100	COVER 
TC-SR-200/50	200	50	
TC-SR-200/100	200	100	
TC-SR-300/100	300	100	

T A SR- 200/75

Tray Width
W1/W2

Straight Reducer

Angle

Height of Tray

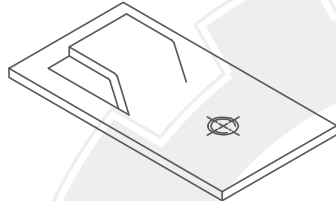
REFER TO SELECTION TABLE FOR HEIGHT & THICKNESS

All Dimensions are in MM

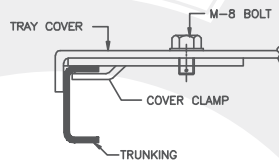
CABLE TRUNKING

ACCESSORIES

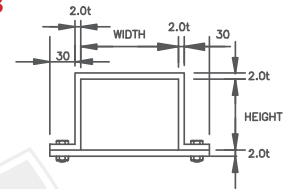
COVER CLAMPS TYPE-A



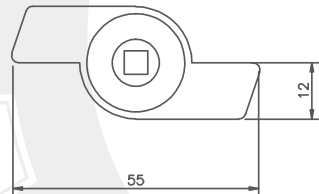
Material : Steel Sheet
Finish : Pre-Galvanized
Hot dip Galvanized



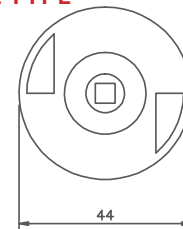
COVER CLAMPS TYPE-B



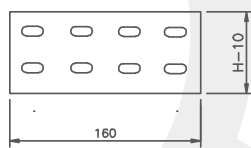
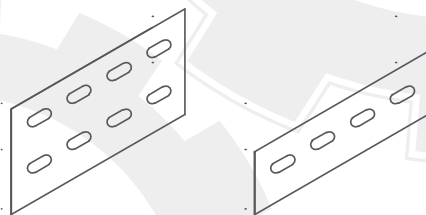
QUICK RELEASE TYPE TYPE-C



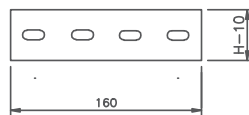
QUICK RELEASE TYPE TYPE-D



JOINT CONNECTOR

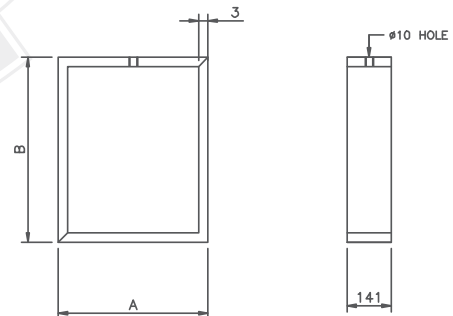


For 100 H and above



For 50 & 75 H

HANGER



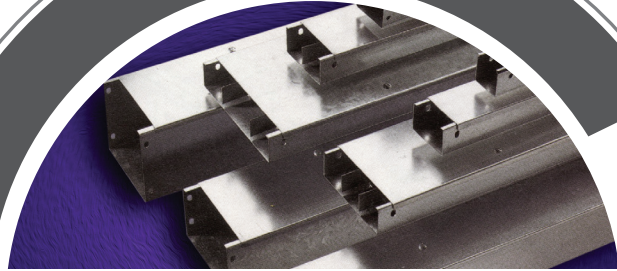
Material : Steel Sheet/flat bar
Finish : Pre-Galvanized/
Hot dip Galvanized
Powder coated/painted

FASTENERS



JOINT CONNECTOR SLOTS CORRESPONDING TO SIDE RAIL CONNECTION HOLES
H - HEIGHT OF SIDE RAIL

All Dimensions are in MM



المير للصناعات ALMEER INDUSTRIES

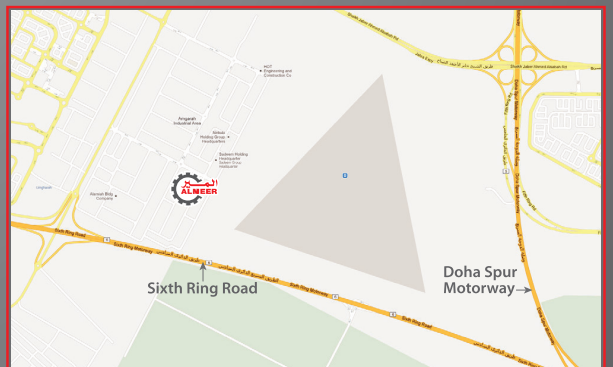
HEAD OFFICE: P.O. Box 9240 Ahmadi, 61003 Kuwait

Tel. : +965 2398 6594 (10 Lines)

Hotline: 18 40 800

Fax : +965 2398 0682 / 6574

E-mail : atsco@almeer.com.kw



DUBAI BRANCH:

Almeer General Trading LLC.

Binary Tower -By Omniyat, 11th floor / office: 1104(A015)

Business Bay - Dubai

Tel: +971 4 871 5620

www.almeergeneraltrading.com

FACTORY: AMGHARA INDUSTRIAL AREA

Tel. : +965 2457 1395 / 4391

Fax : +965 2457 1396

E-mail : factory@almeer.com.kw



www.almeer.com.kw
www.almeerindustries.com